

Flanged chemical seals D801 - D804 - D850 - D851

Process type chemical seals (D801 - D804)

Chemical seals with extension (D850 - D851)

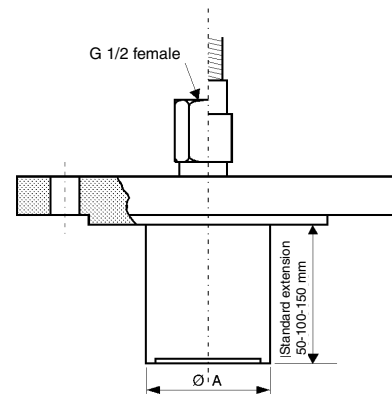
D801 - D804 - D850 - D851 series are designed for the measurement of gauge pressure between 160 mbar and 250 bar and absolute pressure on corrosive fluids in temperature ranges between -60...+200°C.



Type of assembly

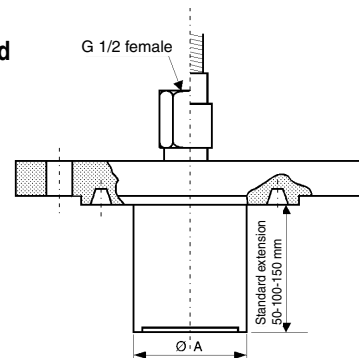
D850: according to ISO/EN D850, raised face according to ANSI

DN	PN	DN	Class	Min. measurement range	Ø A
50	10 to 50	2"	150 to 300	0 + 4 bar -1 + 9 bar	48.3
90	10 to 50	3"	150 to 300	0 + 1 bar -1 + 3 bar	76.1
100	10 to 50	4"	150 to 300	-1 + 0 bar and absolute pressure 0 + 0.16 bar	94



D851: Chemical seal with extension, ring joint face RTJ according to ANSI standard

DN	Class	Min. measurement range	Ø A
2"	300	0 + 4 bar -1 + 9 bar	48.3
3"	150 to 300	0 + 1 bar -1 + 3 bar	76.1
4"	150 to 300	0 + 160 mbar -1 + 0 bar and absolute pressure	94



- Flange and extension** Stainless steel 1.4404 (AISI 316L)
- Diaphragm** Stainless steel 1.4435 (AISI 316L), Hastelloy C276, Uranus B6, Hastelloy B2, Tantalum
- Measurement ranges** Chemical seal mounted on pressure gauge DN 100
Fluid temperature: -20°C ≤ T ≤ 100°C
Ambient temperature: -10°C ≤ T ≤ 50°C

The maximum permissible pressure depends on the PN of the flange and its standardised pressure/temperature relation.

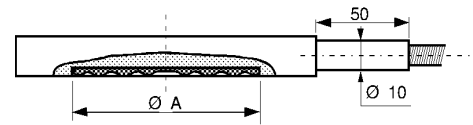
For other service conditions see our «Chemical Seal Technical Guide»

Type of assembly

Conforms to ISO / EN1092-1

D801: Process type chemical seal, flat face EN / ISO PN

Codes	DN	EN PN	ISO PN	Min. measurement range	Ø A
01	50	16 to 400	10 / 16 25 / 40	0 + 1 bar -1 + 3 bar	54
02	80	16 to 400	10 / 16 25 / 40	0 + 160 mbar -1 + 0 bar and absolute pressure	89
03	100	16 to 400	10 / 16 25 / 40	-1 + 0 bar and absolute pressure 0 + 0.16 bar	89

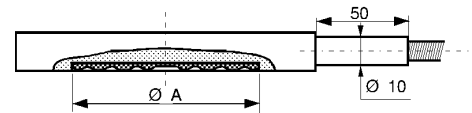


Diaphragms: Stainless steel 1.4435 (AISI 316L), Hastelloy C276,
Uranus B6, Hastelloy B2, Tantalum

Conforms to ANSI

D801: Process type chemical seal, flat face DIN 2501 / ISO PN

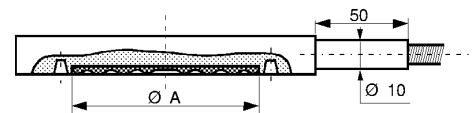
Codes	DN	Class	Min. measurement range	Ø A
11	2"	150	0 + 1 bar	54
12	2"	300 to 2500	0 + 1 bar	54
13	3"	150	0 + 160 mbar	89
14	3"	300 to 2500	0 + 160 mbar	89
15	4"	150 to 2500	0 + 160 mbar	89



Diaphragms: Stainless steel 1.4435 (AISI 316L), Hastelloy C276,
Uranus B6, Hastelloy B2, Tantalum

D804: Process type chemical seal, ring joint face RTJ

Codes	DN	Class	Min. measurement range	Ø A
01	2"	150	0 + 1 bar	54
02	2"	300 to 600	0 + 1 bar	54
03	2"	900 to 1500	0 + 1 bar	89
04	2"	2500	0 + 1 bar	89
05	3"	150	0 + 160 mbar	89
06	3"	300 to 600	0 + 160 mbar	89
07	3"	900	0 + 160 mbar	89
08	3"	1500	0 + 160 mbar	89
09	3"	2500	0 + 160 mbar	89



Diaphragms: Stainless steel 1.4435 (AISI 316L), Hastelloy C276,
Uranus B6, Hastelloy B2, Tantalum

The maximum permissible pressure depends on the PN of the flange and its standardised pressure/temperature relation.

Codification

		Dxxxxx2xxxxx
Type of chemical seal	1' ... 4' digit	
D801 - D804		Dxxx
Process type chemical seal standard	5' ...6' digit	
ISO / EN (see table on previous page)		
D801		xx
ANSI (see table on previous page)		
D801		xx
D804		xx
Housing material	7' digit	
Stainless steel (1.4404)		2
Diaphragm material	8' digit	
Stainless steel 316L (1.4435)		2
Uranus B6 (1.4539)		3
Hastelloy B2 (2.4617)		5
Hastelloy C276 (2.4819)		6
Tantalum		7
Diaphragm coating	9' digit	
No coating		0
PTFE 0.02 mm		1
HALAR 0.2 mm		4
Mounting and type of pipe	10' digit	
Stainless steel capillary pipe with stainless steel protection		A
Stainless steel capillary pipe with stainless steel protection and PVC sheath		B
Stainless steel capillary pipe with reinforced stainless steel protection		C
Pipe length	11' digit	
Length 1 m		1
Length 1.5 m		E
Length 2 m		2
Length 3 m		3
Length 4 m		4
Length 4.5 m		F
Length 5 m		5
Length 6 m		6
Length 7 m		7
Length 8 m		8
Length 9 m		9
Length 10 m		A
Length 11 m		C
Length 12 m		D
Connection on measuring instrument side	12' digit	
G 1/2 female		L
1/2 NPT female		N

Codification

		Dxxxxxx2xxxxx			
Type of chemical seal	1' ... 4' digit				
D850 - D851		Dxxx			
Mounting and type of capillary	5' digit				
Direct mounting		1			
Stainless steel capillary with stainless steel protection		A			
Stainless steel capillary with stainless steel protection and PVC sheath		B			
Stainless steel capillary with reinforced stainless steel protection		C			
Capillary length	6' digit				
No capillary (direct mounting)		0			
Length 1 m		1			
Length 1.5 m		E			
Length 2 m		2			
Length 3 m		3			
Length 4 m		4			
Length 4.5 m		F			
Length 5 m		5			
Length 6 m		6			
Length 7 m		7			
Length 8 m		8			
Length 9 m		9			
Length 10 m		A			
Length 11 m		C			
Length 12 m		D			
Other		x			
Connection on measuring instrument side	7' digit				
G 1/2 female		L			
G 1/4 female		H			
1/2 NPT female		N			
1/4 NPT female		8			
Flange standard	8' digit				
ISO flange		1			
ANSI B 16-5 flange		2			
DIN 2501 flange		3			
EN1092-1 flange		4			
Flange material	9' digit				
Stainless steel (1.4404)		2			
PN	10' digit				
ANSI					
Class 150		1			
Class 300		2			
ISO / EN					
PN 10		C			
PN 16		D			
PN 20		E			
PN 25		F			
PN 40		G			
PN 50		H			
DN	11' digit				
ANSI					
DN 2"		7			
DN 3"		9			
DN 4"		V			
ISO / EN					
DN 50		H			
DN 80		K			
DN 100		L			
Extension	12' digit				
Extension length 50 mm		1			
Extension length 100 mm		2			
Extension length 150 mm		3			
Diaphragm material	13' digit				
Stainless steel 316L (1.4435)		2			
Uranus B6 (1.4539)		3			
Hastelloy B2 (2.4617)		5			
Hastelloy C276 (2.4819)		6			
Tantalum		7			
Diaphragm coating and flange facing	14' digit				
No coating		0			

UK/02-2011 This data sheet must only be copied in full.