

Hygienic diaphragm pressure gauge, NG 100

Application	For gaseous and liquid, non-aggressive and aggressive media and aggressive environments. The male clamp connection is especially suitable for use in processes meeting hygienic requirements. The pressure gauge is constructed such that, in case of diaphragm breakage, contamination of the medium is not possible (no transmitting liquid) due to the dry measuring cell (for DP version).
Pressure ranges	6 bar and 10 bar
Range of application	For static pressure 100%, for dynamic pressure 90% of full scale
Overpressure safety	1.3 x full scale value
Accuracy	Cl. 1.6 acc. EN 837-3
Execution	EN 837-3
Dial	White, black scale acc. EN 837-3
Pointer	Aluminium, black, EN 837-3
Window	Multilaminated safety glass
Case	Bayonet lock version, stainless steel, 1.4301 with pressure blow out
Temperature ranges	Temperature of media max +150°C Ambient temperature min -20°C/max +60°C
Temperature behaviour	For a deviation from the reference temperature of +20°C Measuring system: max ±0.8%/10k of measuring range
Protection	IP 54 acc. EN 60529 / IEC 529



Selection Chart

Ordering code	DPx 100 / xxx.xxx
System design	
Standard	DP
Nominal size	
NG 100	100
Case	
Stainless steel 1.4301, bright drawn	2
Structural shape	
Direct mounting	1
Process connection (material)	
Stainless steel 1.4435 (316L)	3
Scale	
Standard	1
Measuring element	
Stainless steel 1.4435 (316L)	(E) 3
Process connection (structural shape)	
Clamp connection ISO 2852	DN 2" A
Clamp connection ISO 2852	DN 1 1/2" B
Clamp connection ISO 2852	DN 3" C
Varivent connection @	Type N, DN 40/125 D
Varivent connection @	Type F, DN 25/32 E
Paper connection with tubes	ø48 P
Special versions and auxiliary units (on request)	
Wetted area polished	spez
other connections	on request

/ xxx	
Indication range	
Order number	DN bar
	Measuring element
065	0 ... 6 E
075	0 ... 10 E
535	- 1 ... 5 E
545	- 1 ... 9 E

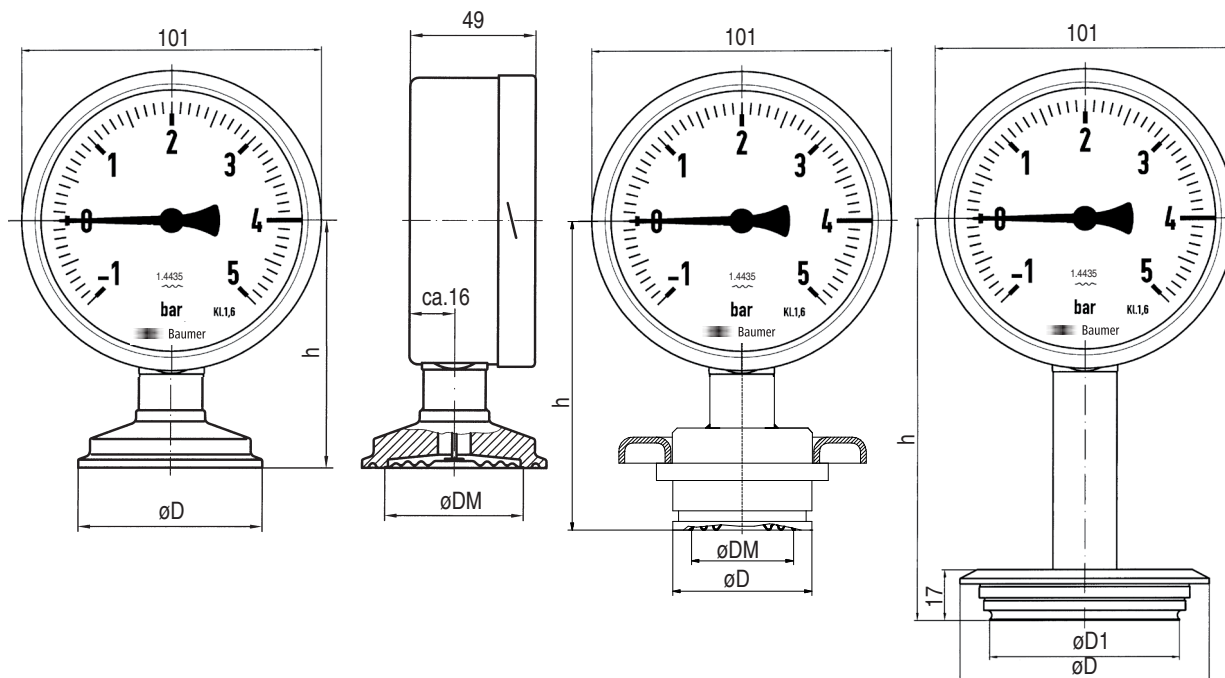
Dimensions

shown:

Clamp connection

Paper connection with tubes

Varivent connection ®



UK/2009-10-01 This data sheet may only be reproduced in full.

Size table

NG	process connection	D	DM	D1	h	Weight, approx. kg for System design DP
100	Clamp DN 2"	64	48	-	86	approx. 2,0
100	Clamp DN 1 1/2"	50,5	35	-	86	approx. 1,9
100	Clamp DN 3"	91	35/48	-	86	approx. 2,0
100	Varivent DN 40/125	84	48/35	64	135±2	approx. 2,2
100	Varivent DN 25/32	66	35	46	135±2	approx. 2,1
100	Paper con. Tubes	48	35	-	106±2	approx. 2,1